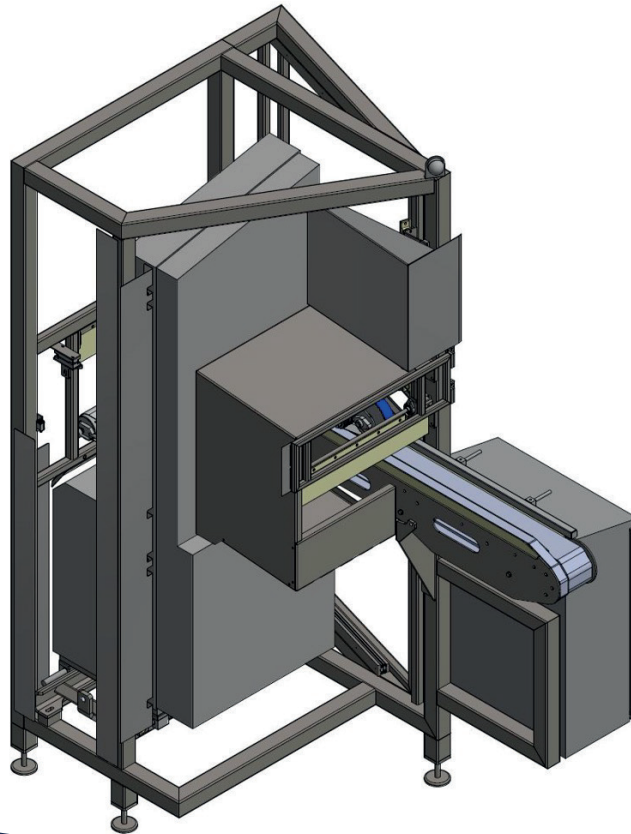


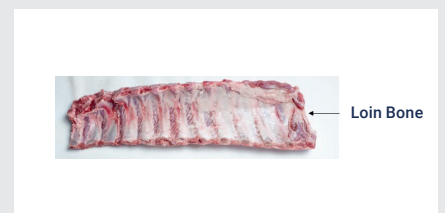
# Loin Rib Saw

High capacity inline loin rib saw for cutting sheet ribs



Automatic cutting of loin sheetribs.

The machine is fully flexible so product cutting widths can be adjusted or if there is no need of sawing products can be bypassed.



## Advantages

- Bandsaw cutting
- Easy to operate on 7" HMI
- Inline compatible with packaging line
- Fast job change

See video of the Loin  
Rip Saw on our website:



# We create machine solutions that ensure production profitability

Woitech develop and manufacture innovative machine solutions for the food industry. Our focus is to add value to our customers Production line and ensure measurable profitability.

We are taking our customers through the project from the early stage where the need and ideas are evaluated to the integrated and commissioned machine. Our central focus is solutions that add value to our customers production, and we are never compromising quality aspects in our deliveries. We are aiming to create long and trustful relations and learn from our customers.

Pointed Below are some of the Benefits when choosing Woitech as machine solution supplier:



## What

- Custom made machinery
- Product handling
- Conveyers
- Saw and cutting solutions
- Process machinery



## How

- Hygienic Design
- Robots >IP67
- Vision technology
- Automation



## Why

- Production atomization
- Energy reduction
- Process optimization
- Working environment
- Operator safety



## We ensure maximum uptime by:

- Operational and technical training
- Remote support from Our office in Kolding , Denmark
- Planning service activities
- Quick onsite support